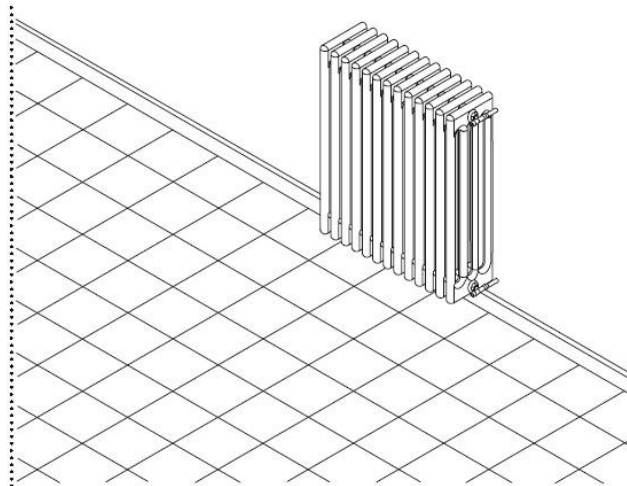
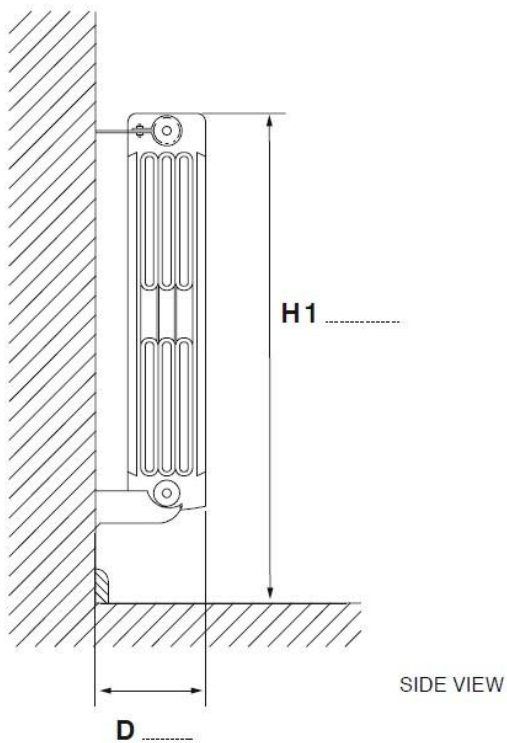
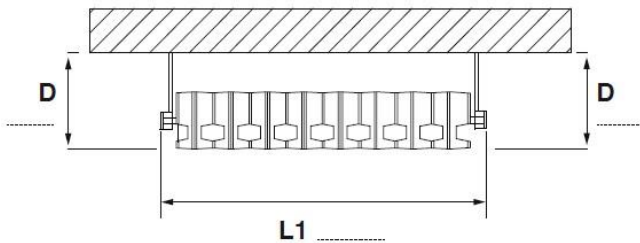


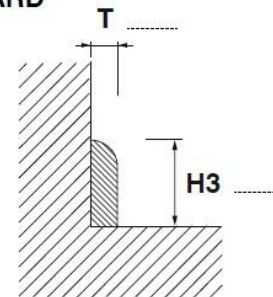
TYP 1

EXTERNAL RADIATOR

INDICATE THE LENGTH INCLUDING VALVES / TUBING



SKIRTING BOARD



SURFACE CALCULATIONS

POLYCARBONATE / PVC MODEL

$$\left(L1_{\text{Length with valves}} + D_{\text{Right Depth}} + D_{\text{Left}} + 28 \right) \times \left(H1_{\text{Height}} + 2 \right)$$

$$\left(\dots + \dots + \dots + 28 \right) \times \left(\dots + 2 \right) = \dots \text{ cm}^2$$

WOOD + EVA MODEL

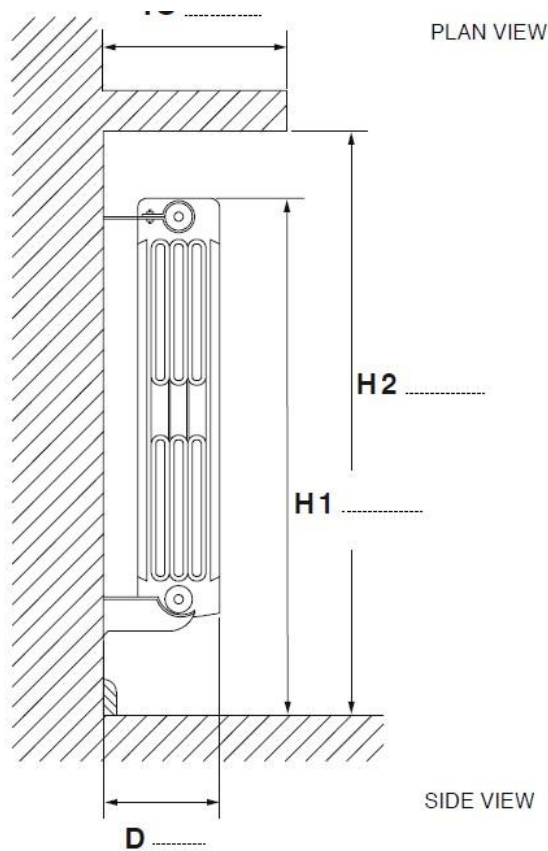
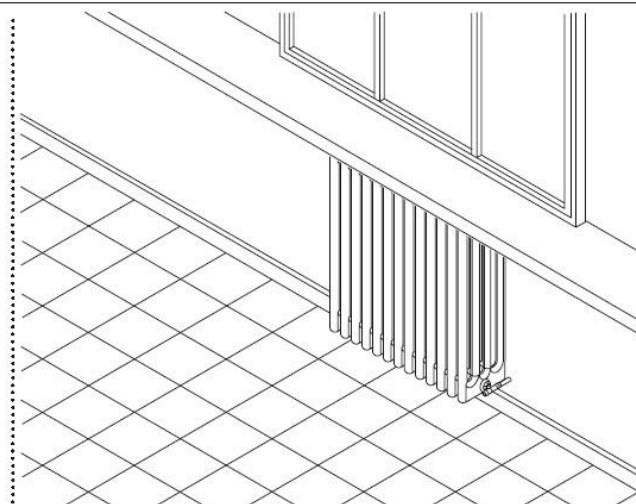
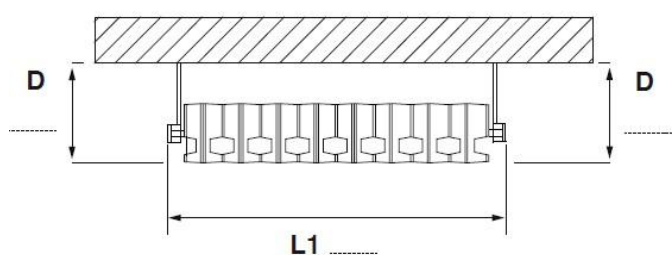
$$\left(L1_{\text{Length with valves}} + D_{\text{Right Depth}} + D_{\text{Left}} + 26 \right) \times \left(H1_{\text{Height}} + 2 \right)$$

$$\left(\dots + \dots + \dots + 26 \right) \times \left(\dots + 2 \right) = \dots \text{ cm}^2$$

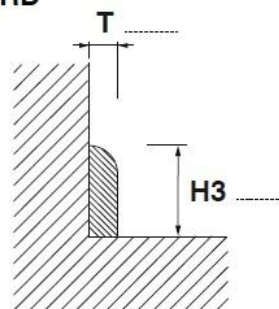
TYP 2

EXTERNAL RADIATOR

INDICATE THE LENGTH INCLUDING VALVES / TUBING



SKIRTING BOARD



SURFACE CALCULATIONS

POLYCARBONATE / PVC MODEL

$$\left(L1_{\text{Length with valves}} + D_{\text{Right Depth}} + D_{\text{Left Depth}} + 28 \right) \times \left(H1_{\text{Height}} + 2 \right)$$

$$\left(\dots + \dots + \dots + 28 \right) \times \left(\dots + 2 \right) = \dots \text{ cm}^2$$

WOOD + EVA MODEL

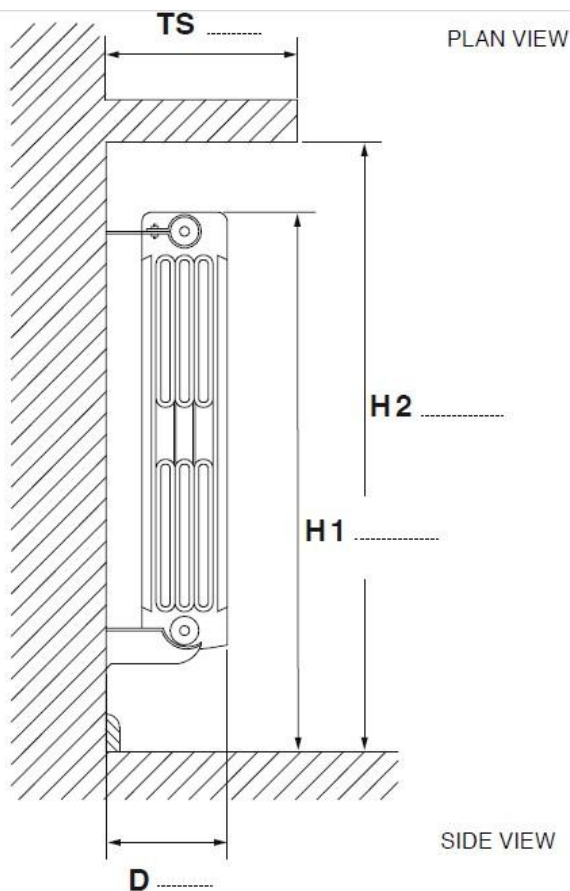
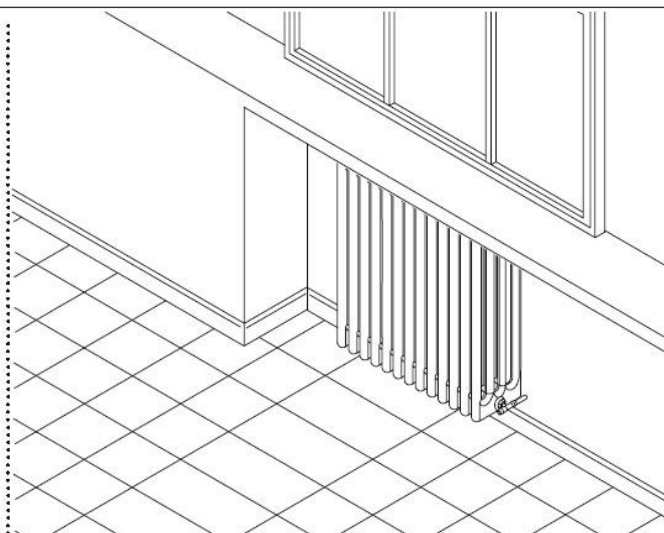
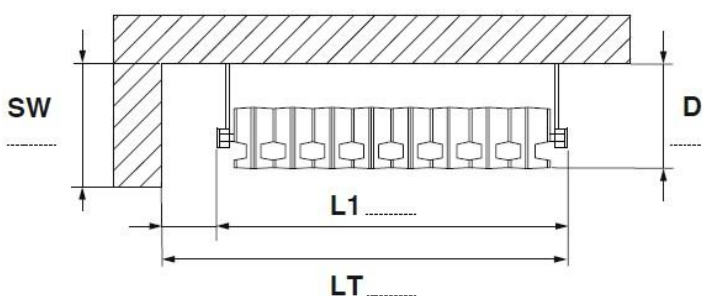
$$\left(L1_{\text{Length with valves}} + D_{\text{Right Depth}} + D_{\text{Left Depth}} + 26 \right) \times \left(H1_{\text{Height}} + 2 \right)$$

$$\left(\dots + \dots + \dots + 26 \right) \times \left(\dots + 2 \right) = \dots \text{ cm}^2$$

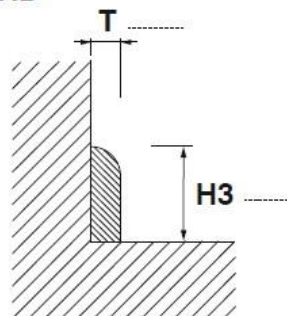
TYP 3

LEFT CORNER RADIATOR

INDICATE THE LENGTH INCLUDING VALVES / TUBING



SKIRTING BOARD



SURFACE CALCULATIONS

POLYCARBONATE / PVC MODEL

$$(LT_{\text{Total Length}} + D_{\text{Right Depth}} + 14) \times (H1_{\text{Height}} + 2)$$

$$(\dots + \dots + 14) \times (\dots + 2) = \dots \text{ cm}^2$$

WOOD + EVA MODEL

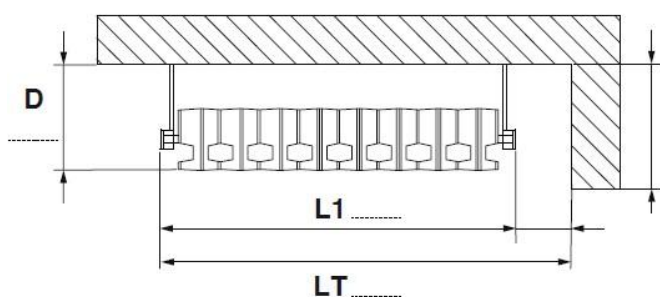
$$(LT_{\text{Total Length}} + D_{\text{Right Depth}} + 13) \times (H1_{\text{Height}} + 6)$$

$$(\dots + \dots + 13) \times (\dots + 6) = \dots \text{ cm}^2$$

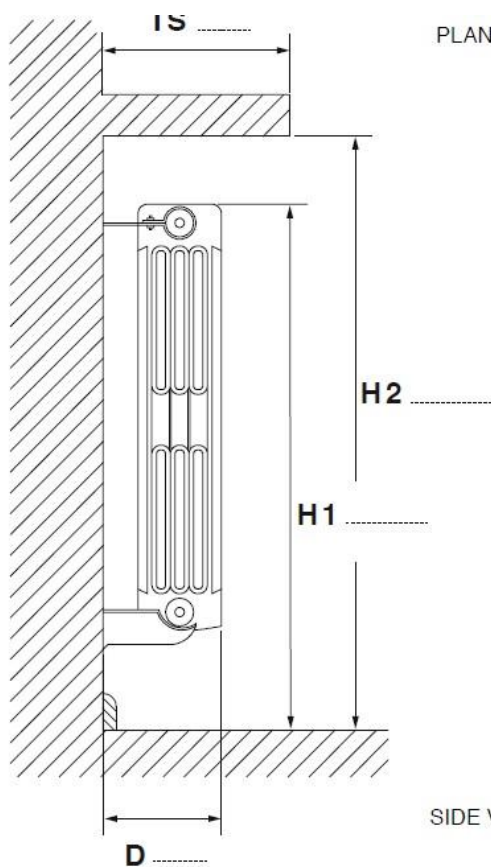
TYP 4

RIGHT CORNER RADIATOR

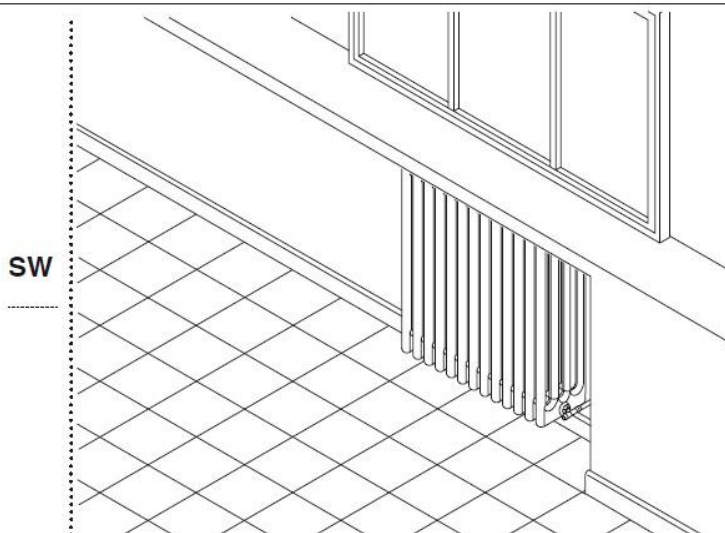
INDICATE THE LENGTH INCLUDING VALVES / TUBING



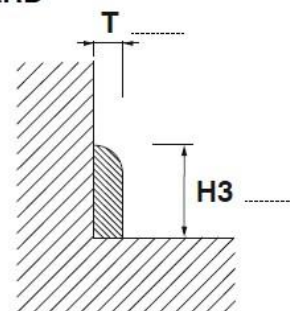
PLAN VIEW



SIDE VIEW



SKIRTING BOARD



SURFACE CALCULATIONS

POLYCARBONATE / PVC MODEL

$$\left(LT_{\text{Total Length}} + D_{\text{Right Depth}} + 14 \right) \times \left(H1_{\text{Height}} + 2 \right)$$

$$\left(\dots + \dots + 14 \right) \times \left(\dots + 2 \right) = \dots \text{ cm}^2$$

WOOD + EVA MODEL

$$\left(LT_{\text{Total Length}} + D_{\text{Right Depth}} + 13 \right) \times \left(H1_{\text{Height}} + 6 \right)$$

$$\left(\dots + \dots + 13 \right) \times \left(\dots + 6 \right) = \dots \text{ cm}^2$$



Quander Przemysław Wojtkowiak
ul. Wrzosowa 1A/31
62-052 Komorniki

NIP 778-120-83-76

Telefon: 512 535 990
e-mail: biuro@zasiedmioma.pl

Zamówienie:

1. typ pokój nr cm²
2. typ pokój nr cm²
3. typ pokój nr cm²
4. typ pokój nr cm²
5. typ pokój nr cm²
6. typ pokój nr cm²
7. typ pokój nr cm²
8. typ pokój nr cm²
9. typ pokój nr cm²
10. typ pokój nr cm²
11. typ pokój nr cm²
12. typ pokój nr cm²
13. typ pokój nr cm²
14. typ pokój nr cm²
15. typ pokój nr cm²
16. typ pokój nr cm²
17. typ pokój nr cm²
18. typ pokój nr cm²
19. typ pokój nr cm²
20. typ pokój nr cm²